

## Sensor

for Pneumatically Operated Clamps /  
Pneumatically Operated Cylinders

### SPECIFICATION

#### Type

- Type **T**: for T-groove cylinder

#### Connection type

- Connection type **S**: Plug

Housing  
Plastic

Cable (outer sheath)  
Polyurethan PUR  
Black

Plug  
Plastic, 3-pole

Knurled screw connection  
- Brass, nickel plated  
- Freely rotating

Temperature range: -30 °C to +80 °C

Protection class IP 65, IP 67



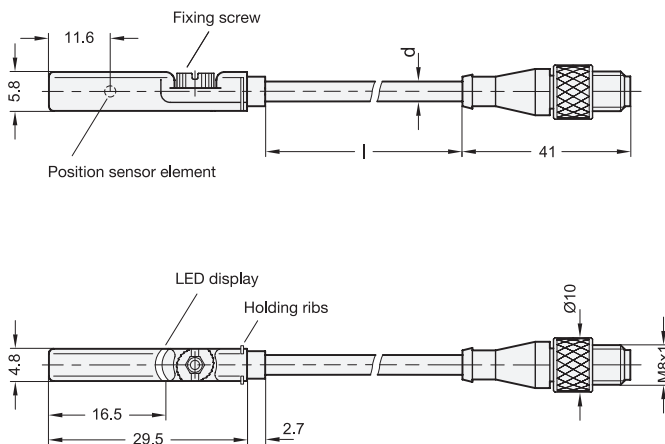
### INFORMATION

The sensor GN 3380 detects the piston position of pneumatic cylinders with magnetic pistons. Cylinders installed in pneumatic clamps enable the position detection of the clamp itself by means of this sensor. Upon reaching the switch point, the sensor electronics deliver a high signal, for instance to a machine controller, and also indicate this switch state via the integrated LED.

For installation, the sensor is inserted into the cylinder groove from above. The side retaining ribs prevent it from falling out. A quarter turn of the fastening screw quickly and reliably locks the sensor into place in the groove.

### TECHNICAL INFORMATION

- IP Protection classes (see page A23)
- Elastomer characteristics (see page A32)



Description	Cable length <i>l</i> in meter	<i>d</i>	
GN 3380-T-S-0.3	0.3	3	14



## Electrical properties

Electrical properties	
<b>Output function</b>	Normally open (NO)
<b>Output type</b>	PNP
<b>Supply voltage</b>	10 - 30 V DC
<b>Continuous current <math>I_a</math></b>	$\leq 100$ mA
<b>Connection type</b>	3-pole plug M8x1, with knurled screw connection, with PUR cable 0,3 m
Plug (S)	
<b>Switching frequency</b>	1000 Hz
<b>Power consumption</b>	$\leq 8$ mA
<b>Voltage drop</b>	$\leq 2$ V
<b>Protection class</b>	III
<b>Response sensitivity</b>	3 mT
<b>Overrun distance</b>	10 mm
<b>Hysteresis</b>	$< 0.8$ mT
<b>Repeatability</b>	$\leq 0.1$ mT
<b>Shock and vibration resistance</b>	30 g, 11 ms / 10 ... 55 Hz, 1 mm
<b>EMC</b>	According to EN 60947-5-2
<b>Switch state LED</b>	Yes
<b>Reverse polarity protection</b>	Yes
<b>Short-circuit protection</b>	Yes
<b>Approvals, conformity declarations</b>	CE marking UL

